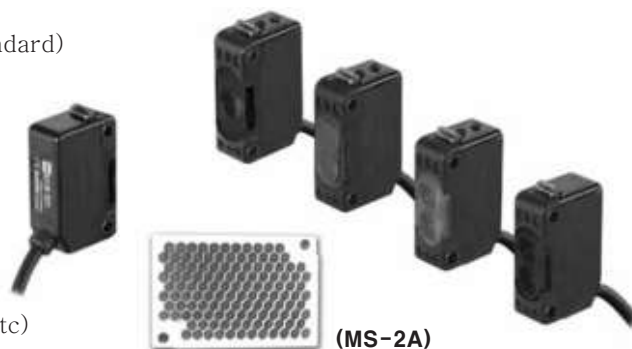


BJ Series

Miniature and built-in amplifier for long sensing distance

Features

- Long sensing distance with high quality lens
- Waterproof structure IP65 by rubber injection(IEC standard)
- Compact size
- Detects up to 15m(Transmitted beam type)
- Long sensing distance : Diffuse reflective type 1m, Polarized reflective type 3m(MS-3S)
- Light ON / Dark ON selectable
- Built-in sensitivity adjuster(Except for BJG30-DDT)
- Mutual interference prevention function (Retroreflective type, Diffuse reflective type)
- Stable detection for transparent object(LCD, PDP, glass etc) by BJG30-DDT.



! Please read "Caution for your safety" in operation manual before using.



Specifications

Model	NPN Open collector output	BJ15M-TDT	BJ10M-TDT	BJ3M-PDT	BJ1M-DDT	BJ300-DDT	BJ100-DDT	BJG30-DDT	
	PNP Open collector output	BJ15M-TDT-P	BJ10M-TDT-P	BJ3M-PDT-P	BJ1M-DDT-P	BJ300-DDT-P	BJ100-DDT-P	—	
Sensing type	Transmitted beam		Polarized retroreflective	Diffuse reflective					
Sensing distance	0~15m	0~10m	0.1~3m(★)	0~1m	0~300mm	0~100mm	0~30mm	0~15mm	
Sensing target	Opaque material over ϕ 12mm		Opaque material over ϕ 75mm	Non-glossy white paper 300×300mm	Non-glossy white paper 100×100mm			Transparent glass 50×50mm (t=3.0mm)	
Hysteresis	—		—	Max. 20% at rated setting distance					
Response time	Max. 1ms								
Power supply	12-24VDC \pm 10% (Ripple P-P: Max.10%)								
Current consumption	Emitter/Receiver : Max.20mA			Max.30mA					
Light source	Infrared LED (850nm)	Red LED (660nm)	Red LED (660nm)	Infrared LED (850nm)	Red LED (660nm)	Infrared LED (850nm)	Infrared LED (850nm)		
Sensitivity adjustment	Short rotator adjuster (210°)							—	
Operation mode	Light ON/Dark ON selectable						Light ON mode fixed		
Control output	NPN open collector output • Load voltage : Max. 26.4VDC • Load current : Max.100mA • Residual voltage : Max. 1V								
	PNP open collector output • Load voltage : Max. 26.4VDC • Load current : Max.100mA • Residual voltage : Min. (Power supply-2.5V)							—	
Protection circuit	Reverse polarity protection, Output short-circuit protection		Reverse polarity protection, Interference prevention function, Output short-circuit protection						
Indicator	Operation : Red, Stable : Green (Emitter of power indicator for transmitted beam : Red)								
Connection	Outgoing cable type								
Insulation resistance	Max. 20M Ω (at 500VDC)								
Dielectric strength	1000VAC 50/60Hz for 1minute								
Vibration	1.5mm or 300mm amplitude at frequency of 10 ~ 55Hz in each of X, Y, Z directions for 2 hours								
Shock	500m/s ² X, Y, Z directions for 3 times								
Ambient illumination	Sunlight : Max. 11,000lx, Incandescent lamp : Max. 3,000lx (Receiver illumination)								
Ambient temperature	-25 ~ 55°C (Storage : -40 ~ 70°C) at non-freezing status								
Ambient humidity	35 ~ 85%RH (at non-freezing status)								
Protection	IP65 (IEC standard)								
Material	Case : PC+ABS, Lens : PMMA, LED Cap : PC								
Cable	ϕ 3.5mm, 3P, Length:2m (Emitter of transmitted beam type : ϕ 3.5mm, 2P, Length:2m)								
Accessory	Common	Fixing bracket, Bolt, Adjustment driver						Fixing bracket, Bolt	
	Individual	—		Reflector (MS-2A)	—				
Approval	CE								
Unit weight	Approx. 90g		Approx. 60g	Approx. 45g					

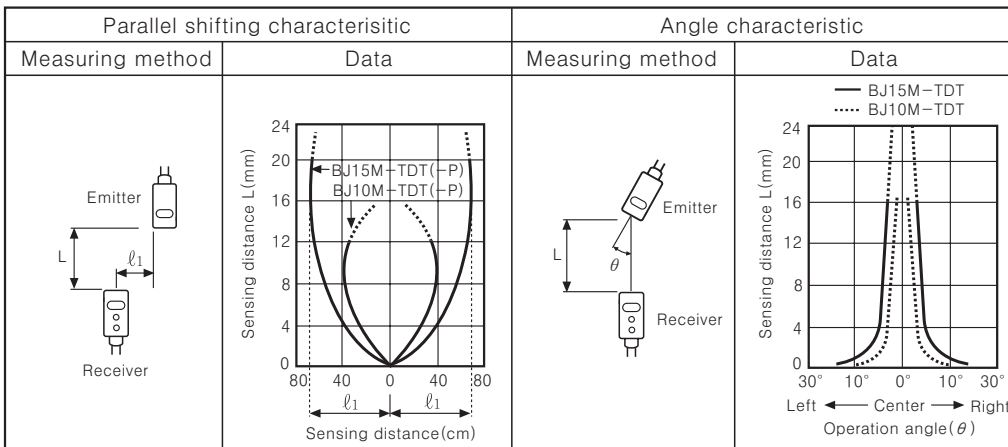
*(★) The sensing distance is extended to 0.1~4m or 0.1~5m when using optional reflector MS-2S or MS-3S.

Miniature and built-in amplifier for long sensing distance

Feature data

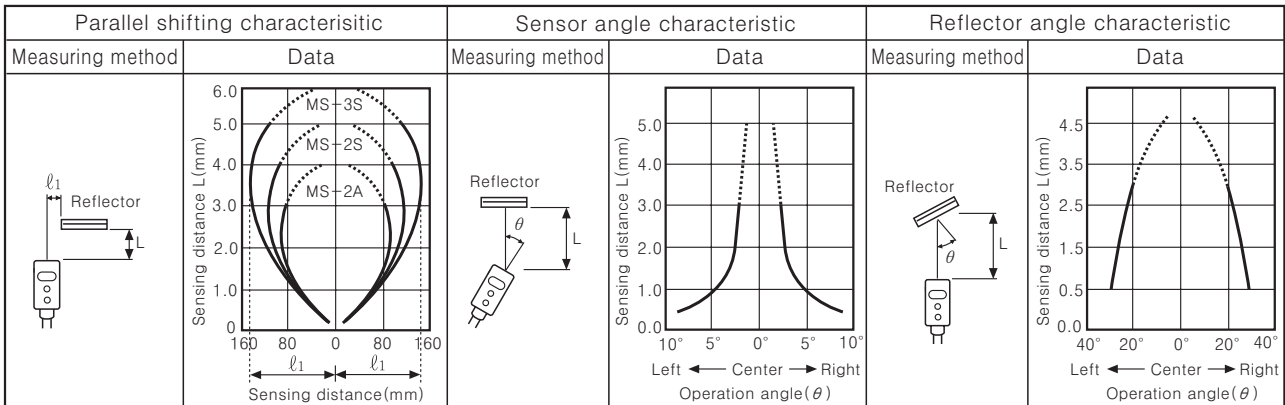
Transmitted beam type

●BJ15M-TDT / BJ15M-TDT-P / BJ10M-TDT / BJ10M-TDT-P



Polarized retroreflective type

●BJ3M-PDT / BJ3M-PDT-P

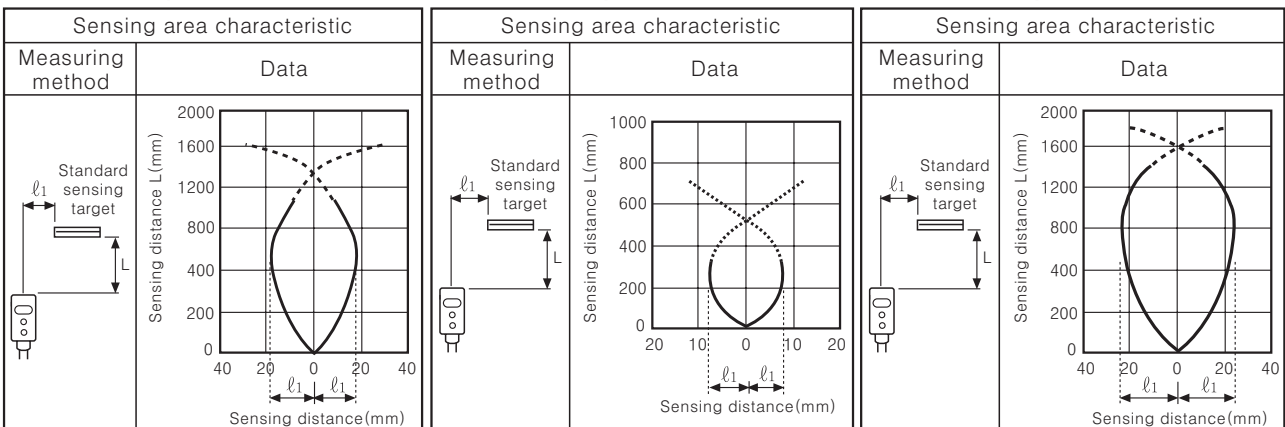


Diffuse reflective

●BJ1M-DDT / BJ1M-DDT-P

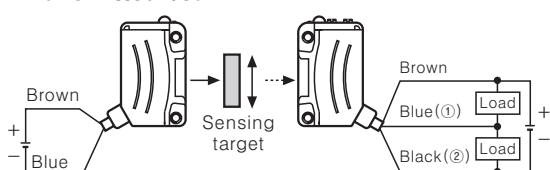
●BJ300-DDT / BJ300-DDT-P

●BJ100-DDT / BJ100-DDT-P

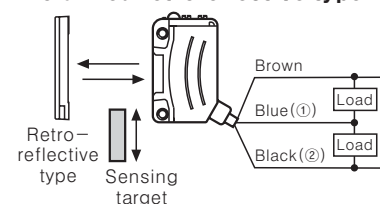


Connections

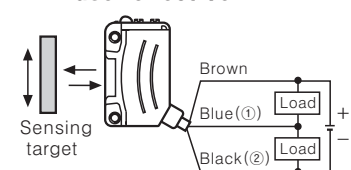
Transmitted beam



Polarized retroreflective type



Diffuse reflective



※① : The load connection of NPN open collector output, ② : The load connection of PNP open collector output

(A) Counter

(B) Timer

(C) Temp. controller

(D) Power controller

(E) Panel meter

(F) Tacho/ Speed/ Pulse meter

(G) Display unit

(H) Sensor controller

(I) Switching power supply

(J) Proximity sensor

(K) Photo electric sensor

(L) Pressure sensor

(M) Rotary encoder

(N) Stepping motor & Driver & Controller

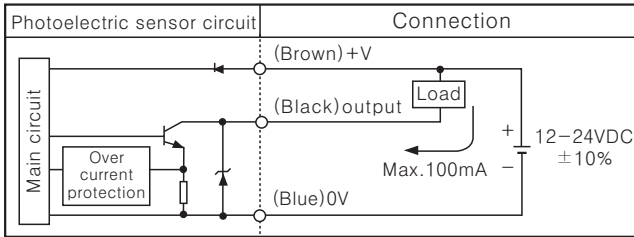
(O) Graphic panel

(P) Production stoppage models & replacement

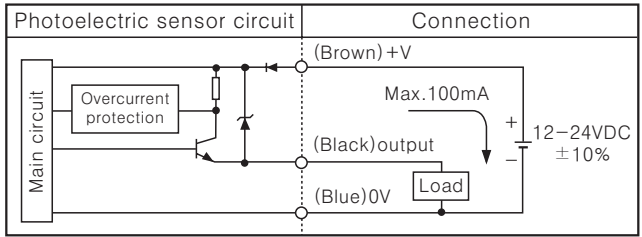
BJ Series

Control output diagram

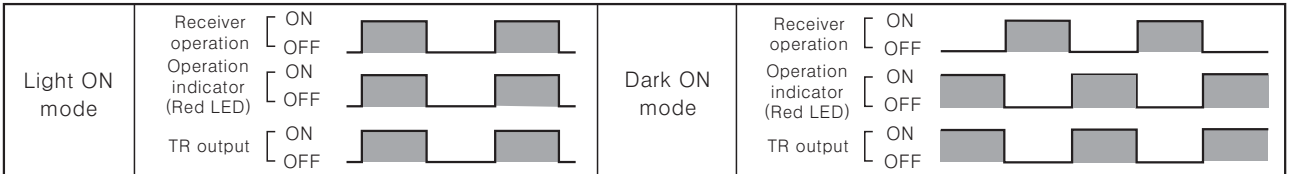
●NPN output



●PNP output



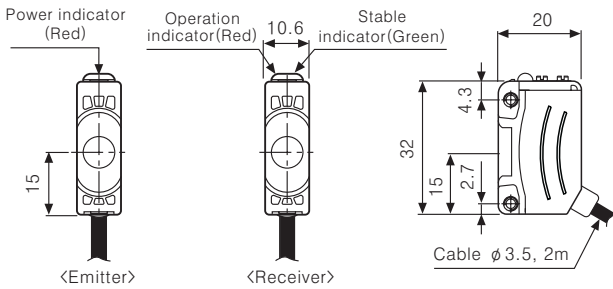
Operation mode



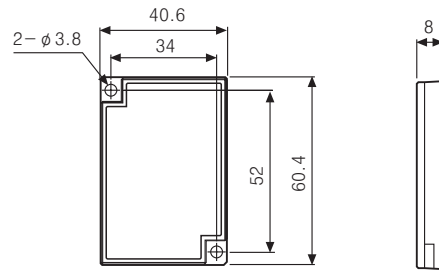
Dimensions

(Unit:mm)

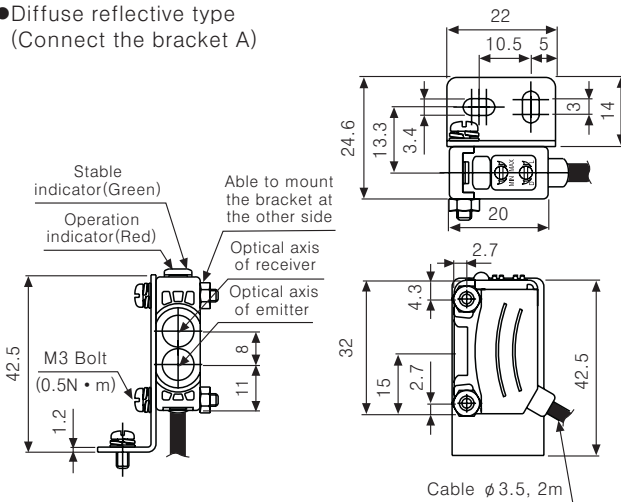
●Transmitted beam type



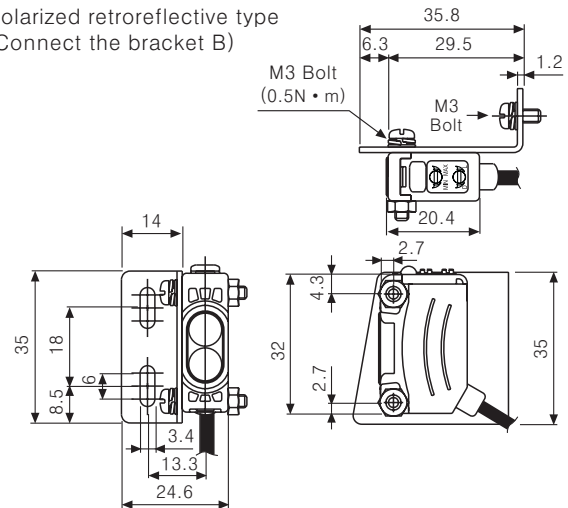
●Reflector (Include: MS-2A, Sold separately: MS-2S, MS-3S)



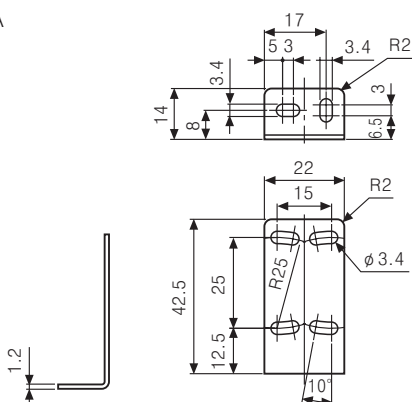
●Diffuse reflective type (Connect the bracket A)



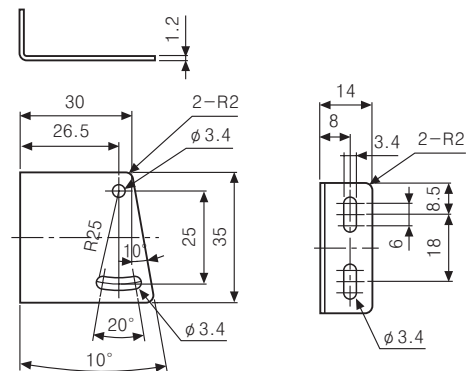
●Polarized retroreflective type (Connect the bracket B)



●Bracket A



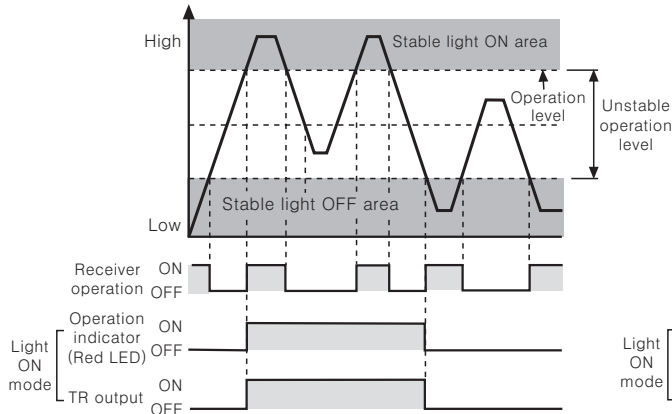
●Bracket B (Sold separately)



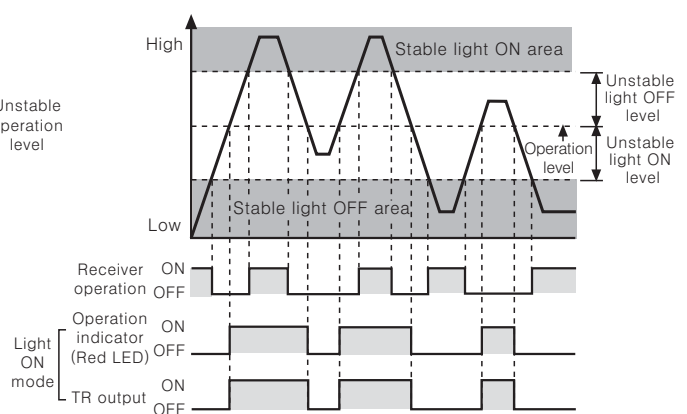
Miniature and built-in amplifier for long sensing distance

Operation mode and Timing diagram

Emitter



Diffuse reflective/Polarized retroreflective



※ The waveform of 'Operation mode indicator' and 'TR output' is for Light ON mode, it is operated as reverse in Dark ON mode.

Mounting and sensitivity adjustment

Switching of operation mode

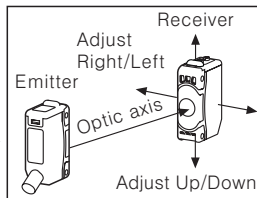
Light ON mode (Light ON)		Turn the operation switching adjuster to right(L direction), it is set as Light ON mode.
Light OFF mode (Dark ON)		Turn the operation switching adjuster to left(D direction), it is set as Light OFF mode.

※ The operation switching adjuster is installed in the receiver for transmitted beam type.

Mounting

Transmitted beam type

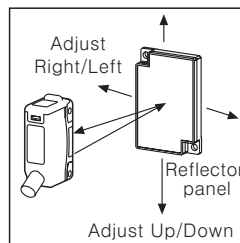
- Place the emitter and receiver facing each other and apply the power.
- After adjust the position of the emitter and receiver and check their stable indicating range, mount them in the middle of the range.
- After mounting, check the operation of sensor and lighting of stable indicator in both status. (None or sensing target status)



※ When the sensing target is translucent or small (Under ϕ 16mm), it can be missed by the sensor because the light can penetrate it.

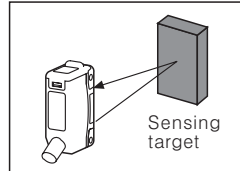
Polarized retroreflective type

- Place the Sensor and retroreflective facing each other and apply the power.
- After adjust the position of the Sensor and retro-reflective and check their stable indicating range, mount them in the middle of the range.
- After mounting, check the operation of sensor and lighting of stable indicating in both status. (None or sensing target status)



Diffuse reflective type

- After place a sensing target, adjust the sensor to up • down, left • right. Then, fix the sensor in center of position where the indicator is operating.



Sensitivity adjustment

Order	Position	Description
1	(A)	Turn the sensitivity adjuster to the right of min. and check position(A) where the indicator is turned on in "Light ON status".
2	(A) (B) (C)	Turn the sensitivity adjuster more to the right of position(A), check position(B) where the indicator is turned on. And turn the adjuster to the left, check position(C) where the indicator is turned off in "Dark ON status". ※ If the indicator is not lighted although the adjuster is turned to the max. position, the max. position is(C).
3	Optimal sensitivity (A) (C)	Set the adjuster at the center of (A) and (C). To set the optimum sensitivity, check the operation and lighting of stable indicator with sensing target or without it. If the indicator is not lighted, please check the sensing method again because sensitivity is unstable.

	"Light ON status"	"Light OFF status"
Transmitted beam type		
Polarized retro-reflective type		
Diffuse effective		

※ Set the sensitivity to operate in a stable light ON area, the reliability for the environment (Temperature, voltage, dust etc) will be increased.

※ Do not apply an excessive force on adjuster, it can be broken.

- (A) Counter
- (B) Timer
- (C) Temp. controller
- (D) Power controller
- (E) Panel meter
- (F) Tacho/Speed/Pulse meter
- (G) Display unit
- (H) Sensor controller
- (I) Switching power supply
- (J) Proximity sensor
- (K) Photo electric sensor
- (L) Pressure sensor
- (M) Rotary encoder
- (N) Stepping motor & Driver & Controller
- (O) Graphic panel
- (P) Production stoppage models & replacement